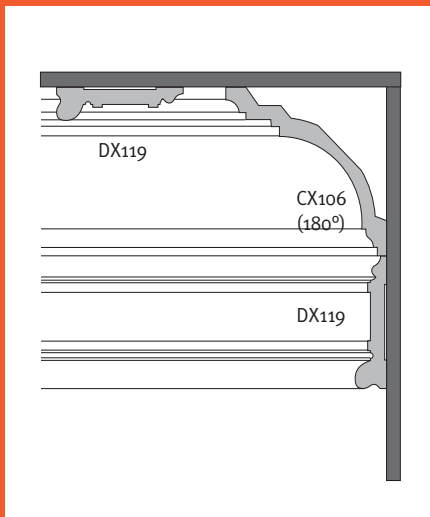




# THE ORAC USER MANUAL



THE ORIGINAL

### 3.6 installation of LEDS

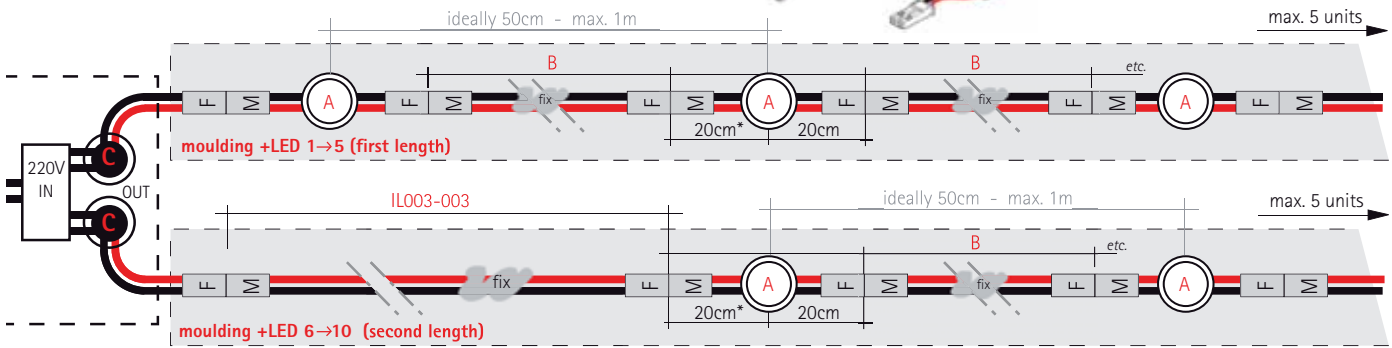


- IL003-001**  
(A) set of 5 LED inserts, 1W  
Ø4cm, thickness 9mm
- (B) 5 cables 1m.
- (C) 1 power convertor max. 5 units

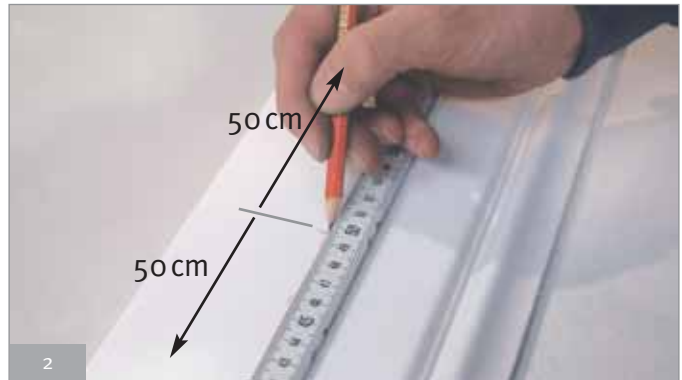
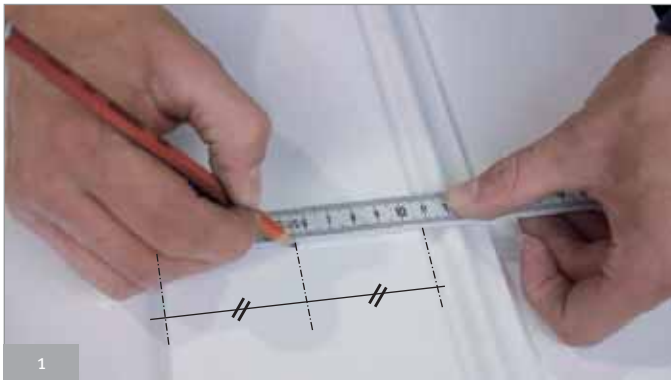
**IL003-002**  
power converter max. 40 units

**IL003-003**  
extension cables 1x(1m + 2m + 3m)

**IL003-004**  
set of 5 multi-connectors



\* Possibility to replace a LED lamp.



Use IL003 for example in C220, C305, C400, C354, P5050, P5051, SX104, SX105, SX118, SX137, SX138, TF06, ...

