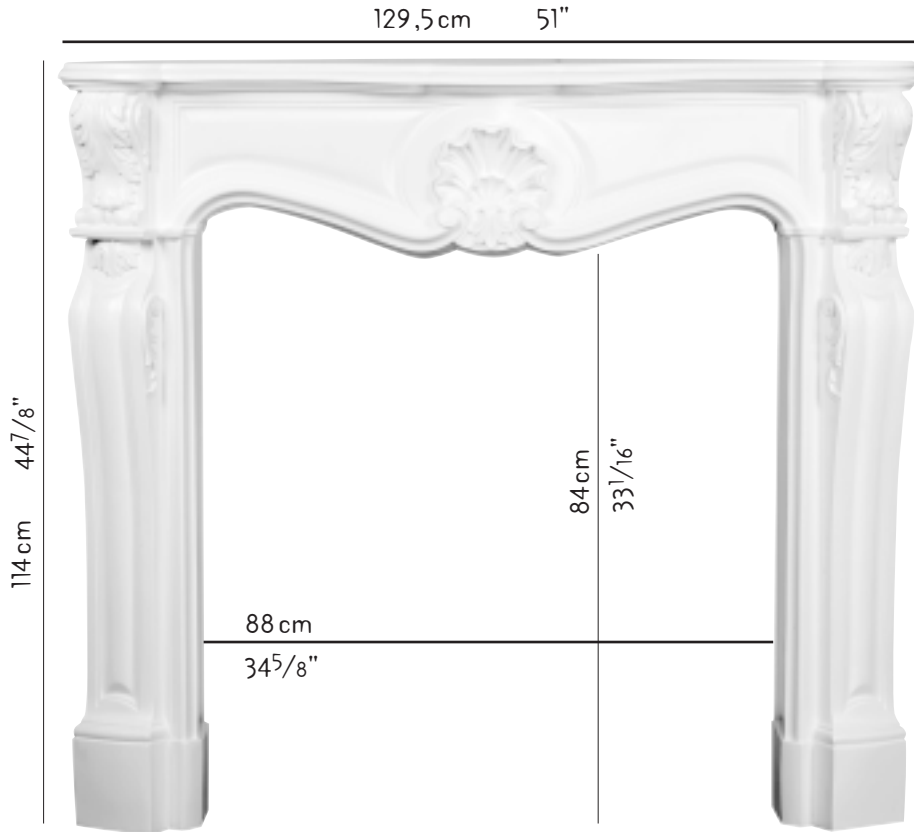


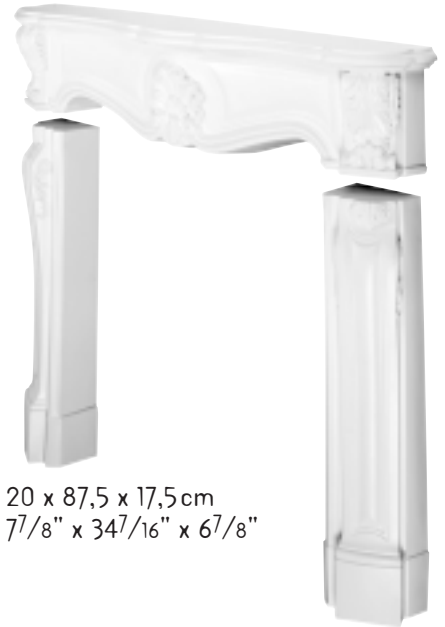


UM 600/03

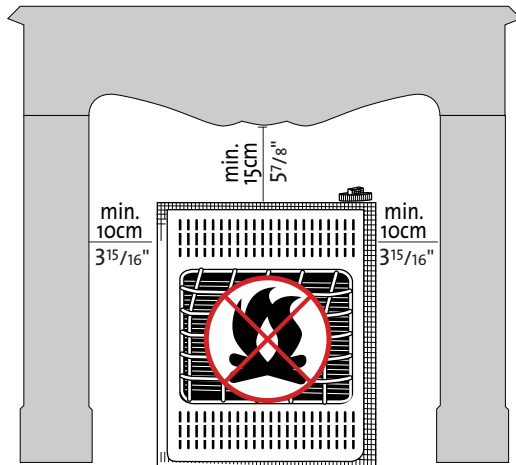
INSTALLATION INSTRUCTIONS • INSTRUCTIONS DE POSE • PLAATSINGSINSTRUCTIES • GEBRAUCHSANLEITUNG • MANUAL DEL USUARIO • GUIDA DELL'UTENTE • MANUAL DE UTILIZAÇÃO



129,5 x 31 x 20,5 cm  
 51" x 12 3/16" x 12 1/16"



20 x 87,5 x 17,5 cm  
 7 7/8" x 34 7/16" x 6 7/8"



max. 2 - 3kW

*The dimensions given for each moulding are based on averages, and may vary slightly. Check measurements at job site before installing.*

